



Brema's IC range offers self-contained ice machines for bench top, under bench or free-standing installation. These machines produce attractive, crystalline cubes weighing 13g which rapidly chill and enhance the appearance of any beverage.

The Brema IC18A is a bench top ice cube machine that produces 21kg of ice per 24 hours and has storage capacity of 4kg.

The IC range of self-contained ice cube machines is the perfect fit for in cabinet installations as the machine breathes in and out through the front.

STANDARD FEATURES

- 21kg production per 24 hours
- 4kg storage capacity
- Produces crystalline 13g cubes
- Hospital grade stainless steel outer
- Fully insulated internal storage bin
- Disappearing door
- Electromechanical operation
- Stainless steel spray arm

STANDARD ACCESSORIES

- Water inlet hose
- Drainage hose
- External water filter
- Pressure limiting valve
- Plastic ice scoop
- 5mm plastic feet (4)

DIMENSIONS

540W x 430D x 470*H mm (*add 5mm for foot)

Clearances: Rear: 100mm Sides: 100mm

CONNECTIONS

3/4" Water inlet, 24mm Water outlet & Electrical connection

TECHNICAL DATA

Power Requirements: 240V 10amp
 Electrical Consumption: 320W
 Production 24h: 21kg
 Storage Capacity: 4kg
 Cooling System: Air
 Cube: 13g
 Refrigerant: R404A
 Weight: 34kg

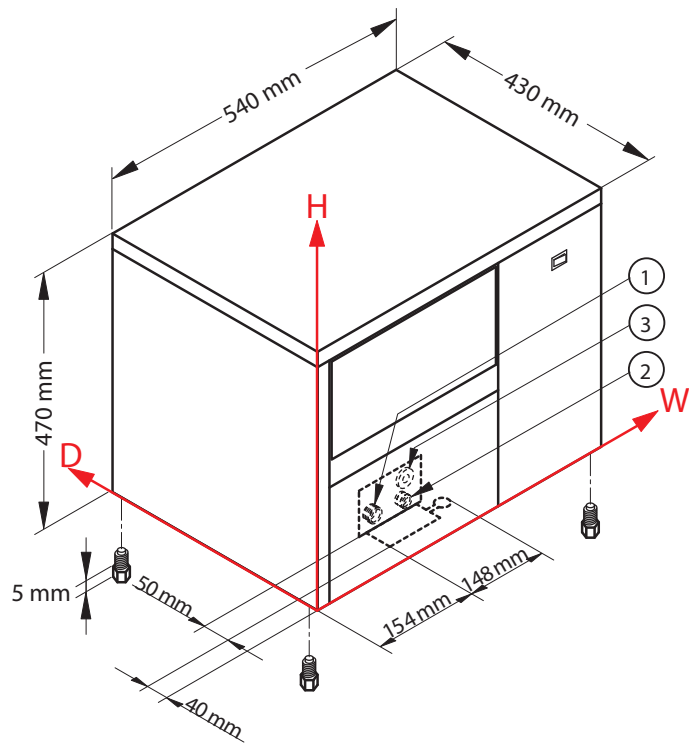
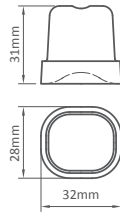
SPECIFICATIONS ARE SUBJECT TO CHANGE WITHOUT NOTICE.

IC18A

SELF-CONTAINED ICE CUBE MACHINE



13g Cubes



National Head Office
 156 Swann Drive
 Derrimut VIC 3030
 Tel: +61 3 8369 4600
 Fax: +61 3 8369 4695
www.comcater.com.au

Melbourne
 96-100 Tope Street
 South Melbourne VIC 3205
 Tel: +61 3 8369 4600
 Fax: +61 3 8699 1299

Sydney
 20/4 Avenue of the Americas
 Newington, NSW 2127
 Tel: +61 2 9748 3000
 Fax: +61 2 9648 4762

Brisbane
 1/62 Borthwick Avenue
 Murarrie QLD 4172
 Tel: +61 7 3399 3122
 Fax: +61 7 3399 5311

Perth
 Unit 16, 7 Abrams Street
 Balcatta, WA 6021
 Tel: +61 8 6217 0700
 Fax: +61 8 6217 0799

from the world of Comcater!