

Indigo™ Series 850 Ice Cube Machine

Model: IR-0850A ID-0852A IY-0854A IR-0851W ID-0853W IY-0855W
 IR-0890N ID-0892N IY-0894N



Indigo Series i-850
Ice Machine on B-570 Bin

Designed for operators who know that ice is critical to their business, the Indigo™ Series ice machine's preventative diagnostics continually monitor itself for reliable ice production. Improvements in cleanability and programmability make your ice machine easy to own and less expensive to operate.

- **Space-Saving Design** – Up to 940 lbs. (426 kgs.) daily ice production and only 30" (76.20 cm) wide.
- **Intelligent Diagnostics** – provide 24 hour preventative maintenance and diagnostic feedback for trouble free operation.
- **Acoustical Ice Sensing Probe** – for reliable operation in challenging water conditions.
- **EasyRead Display** – communicates operating status, cleaning reminders, and asset information through a blue illuminated display.
- **Programmable Ice Production** – by On/Off Time, Ice Volume or Bin Level (with accessory bin level control) further improves energy efficiency and savings.
- **Easy to Clean Foodzone** – Hinged front door swings out for easy access. Removable water-trough, distribution tube, curtain, and sensing probes for fast and efficient cleaning. Select components made with AlphaSan® antimicrobial.
- **DuraTech™ Exterior** – provides superior corrosion resistance. Stainless finish with innovative clear-coat resists fingerprints and dirt.
- Available **LuminIce™ Growth Inhibitor** controls the growth of bacteria and yeast within the foodzone.

Specifications

BTU Per Hour:

13,000 (average)
16,000 (peak)

Refrigerant:

R-404A CFC-free

Operating Limits:

Ambient Temperature Range:
35° to 110°F (1.7° to 43.3°C)
Water Temperature Range:
35° to 90°F (1.7° to 32.2°C)
Water Pressure Ice Maker Water In:
Min. 20 psi (137.9 kPa)
Max. 80 psi (551.1 kPa)

Ice Machine Electric

208-230/60/1
(208-230/60/3 and 230/50/1 also available)

Minimum circuit ampacity:

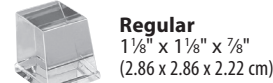
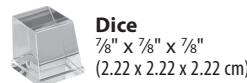
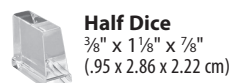
| | | |
|---------------|----------|---------|
| Air-cooled: | 11.9 1ph | 9.2 3ph |
| Water-cooled: | 10.9 1ph | 8.2 3ph |
| Remote: | 11.9 1ph | 9.2 3ph |

Maximum fuse size:

| | | |
|---------------|--------|--------|
| Air-cooled: | 20 1ph | 15 3ph |
| Water-cooled: | 20 1ph | 15 3ph |
| Remote: | 20 1ph | 15 3ph |



Ice Shape



2110 South 26th Street
PO Box 1720
Manitowoc, WI 54221-1720 USA

Tel: 1.920.682.0161
Fax: 1.920.683.7589

www.manitowocice.com

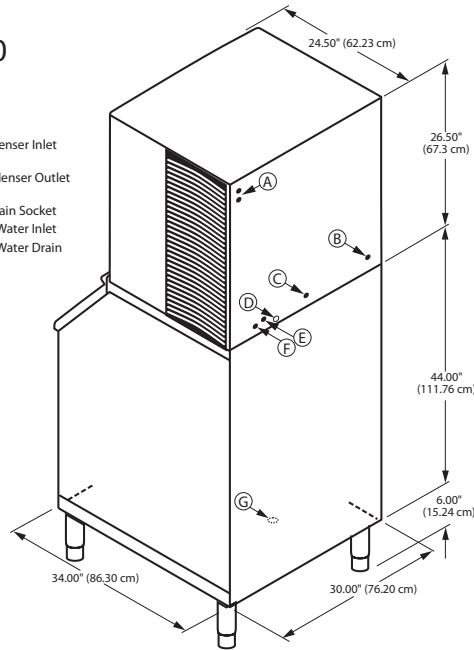




Indigo™ Series 850 Ice Cube Machine

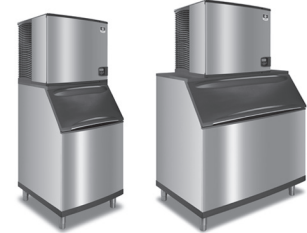
i-850 on B-570 Storage Bin

- (A) Electrical Entrance (2) Options
- (B) 3/8" (0.95 cm) F.P.T. Water Condenser Inlet (water-cooled units)
- (C) 1/2" (1.27 cm) F.P.T. Water Condenser Outlet (water-cooled units)
- (D) 1/2" (1.27 cm) Auxillary Base Drain Socket
- (E) 3/8" (0.95 cm) F.P.T. Ice Making Water Inlet
- (F) 1/2" (1.27 cm) F.P.T. Ice Making Water Drain
- (G) 3/4" (1.91 cm) Bin Drain



Installation Note
Minimum installation clearance:
Top/sides: 8" (20.32 cm);
Back is 5" (12.7 cm)

Space-Saving Designs



| | i-850 B-570 | i-850 B-970* |
|-------------|----------------------|------------------------|
| Height | 76.50" 194.30 cm | 76.50" 194.30 cm |
| Width | 30.00" 76.20 cm | 48.00" 121.92 cm |
| Depth | 34.00" 86.30 cm | 34.00" 86.30 cm |
| Bin Storage | 430 lbs. 195 kgs. | 710 lbs. 322.2 kgs. |

Height includes adjustable bin legs 6.00" to 8.00", (15.24 to 20.32 cm) set at 6.00" (15.24 cm).

*For comparison purposes multiply ARI capacity by 1.3 (30%) to arrive at approximate "Application Rating Capacity."

Specifications

| | Model | Ice Shape | Ice Production 24 Hours | | | | Power Usage kWh/100 lbs.@90°Air/70°F | | Water Usage/100 lbs. 45.4 kgs. of Ice | | ENERGY STAR® |
|---|----------|-----------|-------------------------|--------------------|----------|----------|--------------------------------------|------|---------------------------------------|--------|--------------|
| | | | 70°Air/ 50°F Water | 90°Air/ 70°F Water | 1 Ph | 3 Ph | Potable Water | | | | |
| AIR-COOLED | IR-0850A | regular | 820 lbs. | 372 kgs. | 615 lbs. | 279 kgs. | 5.84 | 5.84 | 20 Gal. | 75.7 L | |
| | ID-0852A | dice | 785 lbs. | 356 kgs. | 575 lbs. | 261 kgs. | 6.25 | 6.25 | 20 Gal. | 75.7 L | |
| | IY-0854A | half-dice | 940 lbs. | 426 kgs. | 650 lbs. | 295 kgs. | 5.54 | 5.54 | 20 Gal.. | 75.7 L | ★ |
| WATER-COOLED | IR-0851W | regular | 814 lbs. | 369 kgs. | 670 lbs. | 304 kgs. | 4.80 | 4.80 | 20 Gal. | 75.7 L | NA |
| | ID-0853W | dice | 835 lbs. | 379 kgs. | 640 lbs. | 290 kgs. | 4.87 | 4.87 | 20 Gal.. | 75.7 L | NA |
| | IY-0855W | half-dice | 875 lbs. | 397 kgs. | 730 lbs. | 331 kgs. | 4.52 | 4.52 | 20 Gal. | 75.7 L | NA |
| * Water-cooled Condenser Water Usage / 100 lbs. /45.4 kgs. Of Ice: 150 gal/568 L. * Water-cooled models are excluded from ENERGY STAR qualification. | | | | | | | | | | | |
| REMOTE-COOLED | IR-0890N | regular | 735 lbs. | 333 kgs. | 625 lbs. | 283 kgs. | 5.91 | 5.91 | 20 Gal. | 75.7 L | |
| | ID-0892N | dice | 750 lbs. | 340 kgs. | 610 lbs. | 277 kgs. | 6.07 | 6.07 | 20 Gal. | 75.7 L | |
| | IY-0894N | half-dice | 860 lbs. | 390 kgs. | 645 lbs. | 293 kgs. | 5.78 | 5.78 | 20 Gal. | 75.7 L | ★ |

Order ice storage bin separately. Ice storage bin and JC-0895 remote condenser must be ordered separately. Consult remote condenser specification sheet for details. To order 3 phase add "3" suffix to model # (ID-0852A3).

Accessories

LuminIce™ Growth Inhibitor reduces yeast and bacteria growth for a cleaner ice machine.



Bin Level Control Allows ice bin level to be automatically set. Built-in LED light illuminates bin.



Arctic Pure® Water Filters Reduces sediment and chlorine odors for better tasting ice.



AuCS® schedules and performs routine ice machine cleaning automatically.



2110 South 26th Street
PO Box 1720
Manitowoc, WI 54221-1720 USA

Tel: 1.920.682.0161
Fax: 1.920.683.7589
www.manitowocice.com

