

microsave™



Bonn

AS OF NOVEMBER 2014
AUSTRALIA'S FIRST CHOICE IN
COMMERCIAL MICROWAVE OVENS

Brisbane • Sydney • Melbourne • Adelaide • Perth

Commercial Microwave Ovens



Demand The Best

Designed and constructed to the highest of standards since 1989. Performance, reliability, safety and unsurpassed after sales service from Australia's leading commercial microwave oven brand. National franchises, restaurants, canteens, snack bars, schools, airlines, sporting stadiums, trains, testing laboratories & ships are just some of the many outlets that depend on a Bonn every day. Demand the best without compromise.

Safety

Bonn Commercial Microwave Ovens are designed with absolute user safety in mind. Multiple door monitor switches, glass lined inner doors, reinforced door hinges and backup safety cutouts are just some of the many design features that ensure maximum protection to the operator. At Bonn we don't compromise and neither should you.

Ease of Use

All Bonn Commercial Microwave Ovens feature custom programmable touch pads for easy single touch operation. Ceramic base interiors replace glass turntables to ensure maximum usable space and easy wipe cleaning.

Speed

Bonn offers power outputs from 900watts to 1900watts dependant on your speed requirements. The following graph illustrates the difference in speed at different power output.

MicroSave™ Innovation

An industry first from Bonn. The award winning MicroSave™, now available with all Bonn High Performance MicroSave™ Range ovens. The Patented MicroSave™ cavity liner offers users the only genuine solution to the potential damage cause by fat and grease spatter in any microwave oven. MicroSave™ also maintains the highest possible hygiene by containing fat & grease spatters along with spills allowing for easy cleaning. Innovative, simple and highly effective and only from Bonn.

Warranty & After Sales Service

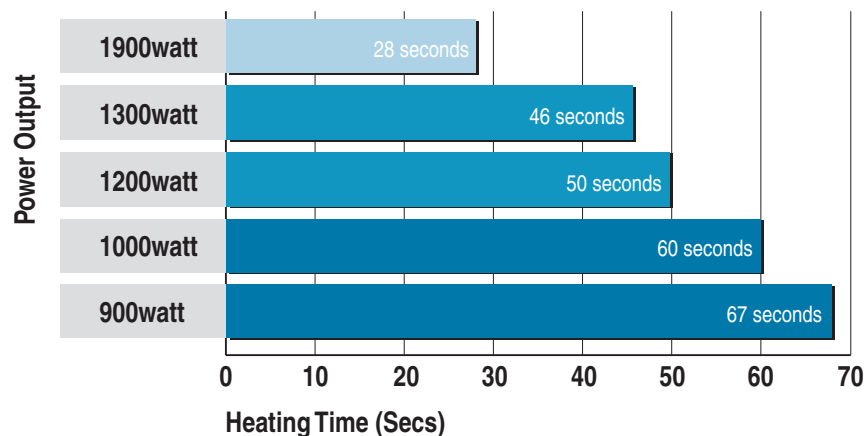
Bonn Commercial Microwave Ovens are supplied with warranties up to 3 years, well in excess of the industry norm. This warranty is backed by an Australia Wide service network with more than 20 years experience. As Australia's only Commercial

Microwave Oven specialist we understand and support our products like no other.

Commercial Microwave Ovens Vs Domestic Microwave Ovens

Commercial Microwave Ovens are designed for the rigours of heavy duty use unlike household or domestic microwave ovens. This means for greater reliability and safety when used for extended periods of time in harsh environments. Above all, ordinary household microwave ovens are not designed to operate in commercial applications and can become unsafe for operation. Heavy duty doors, backup door switching, multiple safety cutouts & heavy gauge door hinges are some of the many features that keep your Bonn Commercial Microwave Oven in safe operation. Why compromise?

Heating Time Comparisons for Identical Product at Varying Power Output



Durability & Reliability

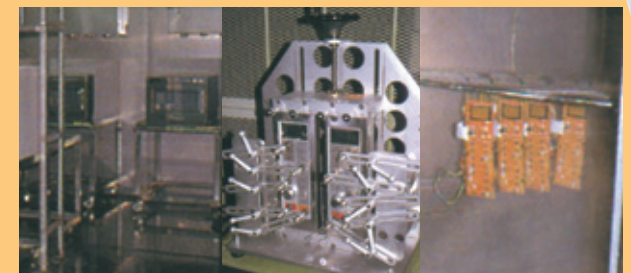
The durability and reliability of each Bonn Commercial Microwave owes much to the extensive testing program that each oven must withstand. Examples of such testing procedures include:

- Door Endurance Test - 400,000 door open and close testing.
- Control Panel Endurance Test - 200,000 operations of the touch pad.
- Intermittent Operation Endurance Test - On(60sec) and Off(30sec) 200,000 times, On(20sec) and Off(10sec) 200,000 times.

In a commercial kitchen the combination of various cooking equipment operating at high temperatures and the amount of steam and smoke generated creates a tough atmosphere for microwave ovens. After closing time the temperature of the kitchen drops significantly. When designing Bonn Commercial Microwave Ovens this environment is simulated to ensure reliability, some of these tests include:

- Dust and Cooking Vapour Test - Operating oven in dust and cooking vapour at 40C, humidity of 95%.
- Printed Circuit Board Evaluation Test - Printed circuit board tested in -40C to +85C, humidity 85%.

Bonn's commitment to durability and reliability has enabled longer than usual warranty periods. Warranty periods of up to 3 years, by far in excess of the industry norm illustrates belief in our products.



Combined stress test Temperature from 0°C to 40°C with Humidity of 85%

Control Panel Endurance Test Operating the keypads 200,000 times

Printed Circuit Board evaluation test Temperature from -40°C to +85°C with Humidity of 85%





**Protect your Microwave
and improve Hygiene**

microsave™

**Microwave oven protection liner
by Bonn**



- 1** Reduces costly repairs by up to 80%.
- 2** Hygienic - Prevents cross contamination. Easily removed & washed in the sink or pot washer.
- 3** Extends the life of your microwave.
- 4** Safety - Maintains your microwave in a safe working condition.
- 5** Prevents fat, grease and spills inside your commercial microwave from entering impossible to clean places.
- 6** Prevents unnecessary downtime while your microwave is in for repairs.
- 7** Pest free - Prevents rodents such as cockroaches and mice attracted to spattered fat, grease and food particles from living inside the internals of your microwave oven.
- 8** Prevents major damage to the stainless steel cavity caused by arcing or sparking.
- 9** Cost effective - Costs no more than the cost of a single repair.
- 10** NSF Approved for the highest of food service standards.

High Performance **microsave™** Range



CM-1901T 1900 watts

microsave™ COMPATIBLE

The Bonn CM-1901T with 1900watt power output offers market leading speed. Heavy duty construction, high power and Bonn's unique MicroSave™ protection makes the CM-1901T the most advanced Heavy Duty Commercial Microwave Oven and the number 1 choice amongst professionals.

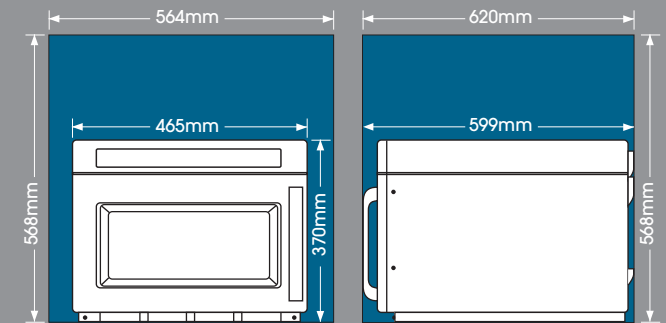
The unique removeable MicroSave™ cavity liner reduces service costs by up to 80% and extends the life of the oven. The MicroSave™ significantly improves hygiene by collecting all spills and splatters for easy cleaning. The patented MicroSave™ liner is available as an optional extra and a must for all professional users.

The CM-1901T utilizes Dual Magnetron technology reducing the operating temperature of each magnetron by up to 50% when compared to single magnetron ovens. This means longer life span with greater reliability.

Industry leading 3 year warranty**

CM-1901T Dimensions and Installation Guide

All microwave ovens should be installed in a well ventilated area. Below are the minimum recommended built in installation dimensions.



MODEL	Power Output	Oven Capacity	microsave™	Programmable Control Panel	Number of Programs	Ceramic Base	Glass Turntable	Internal Construction	External Construction	Inner Door Construction	Power Point Required	Weight	Current Drawn	Power Source	External Dimensions	Internal Dimensions
CM-1901T	1900 watts	26 litre	✓	✓	30	✓	✗	Stainless Steel	Stainless Steel	Toughened Glass	15 amp	32kg	14.9 amp	240V - 50Hz	464w x 368h x 620d	370w x 190h x 370d
CM-1300T	1300 watts	26 litre	✓	✓	30	✓	✗	Stainless Steel	Stainless Steel	Toughened Glass	10 amp	32kg	9.8 amp	240V - 50Hz	464w x 368h x 620d	370w x 190h x 370d



CM-1300T 1300 watts

microsave™ COMPATIBLE

The Bonn CM-1300T offers Heavy Duty construction combined with the award winning MicroSave™ cavity liner for maximum reliability and hygiene.

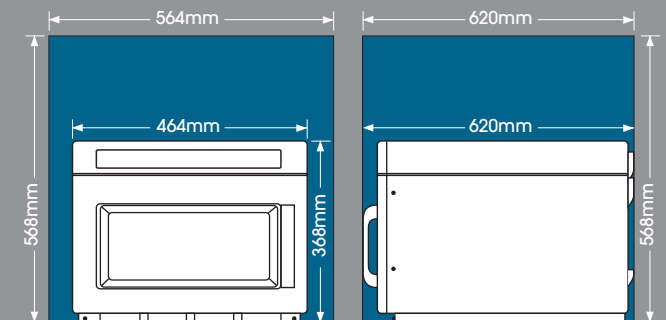
The unique removeable MicroSave™ cavity liner reduces service costs by up to 80% and extends the life of the oven. The MicroSave™ significantly improves hygiene by collecting all spills and splatters for easy cleaning. The patented MicroSave™ liner is available as an optional extra and a must for all users.

The CM-1300T utilizes Dual Magnetron technology reducing the operating temperature of both magnetrons by up to 50% when compared to single magnetron ovens. This results in a longer life span with greater reliability.

Industry leading 3 year warranty**

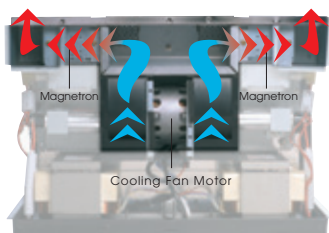
CM-1300T Dimensions and Installation Guide

All microwave ovens should be installed in a well ventilated area. Below are the minimum recommended built in installation dimensions.



Direct Ducted Magnetron Cooling Design

Industry leading magnetron lifespan. Unique ducted design by Bonn. Cold air is plumbed directly into the magnetron, with hot exhaust air plumbed to exit the oven achieving maximum cooling efficiency.



Motorised Stirrer Fans

Concealed Stirrer Fans for even heating of food.



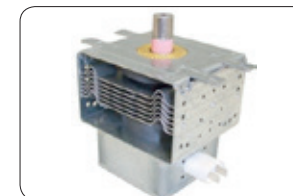
Programmable Touch Pad

Up to 200 fully customisable programs for easy, rapid heating.



Dual Magnetron Technology

Power output is shared between both magnetrons reducing magnetron temperature. Greater power with greater reliability.



Grab'n'Go Door Handle

Heavy Duty triggerless metal door handle for years of reliable use.



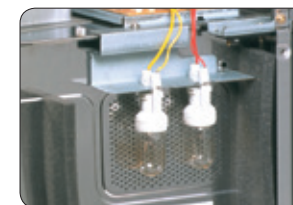
Heavy Duty Door Safety Latch

All metal door safety latches for maximum safety to user.

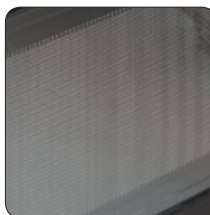


Double Lamp Design

Dual lamps for brighter lighting with easy replacement panel.



Safety
Toughened glass (not film) inner door screen protects door grill, preventing possible microwave leakage and maximum safety to user.



microsave™ Cavity Liner (Optional Extra)

Removeable cavity liner captures all spills and splatters for easy cleaning and maximum hygiene. Extends oven life, reduces service costs by up to 80%. Keeps oven in new condition.



Ceramic Base

Larger useable space when compared to rotating glass turntable.



Performance Range



CM-1042T 1200 watts

The CM-1042T offers users preset programming, ceramic base, full stainless steel construction, generous 22 litre capacity and a powerful 1200watt output.

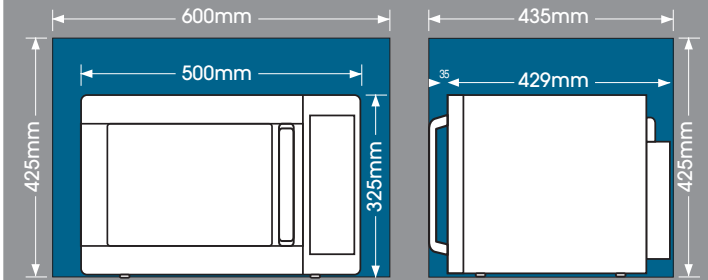
Incorporating new latest generation high efficiency magnetron with 1200watt output.

The CM-1042T has incorporated many of the design features from the Bonn High Performance Range of ovens. These include Direct Ducted Magnetron Cooling, Motorised Stirrer Fan for even heating along with all safety features such as toughened inner door glass, heavy duty door safety latches and double strengthened door hinges all part of Bonn's stringent total safety philosophy.

Supplied with 2 Years Parts/1 Year Labour warranty*.

CM-1042T Dimensions and Installation Guide

All microwave ovens should be installed in a well ventilated area. Below are the minimum recommended built in installation dimensions.



MODEL	Power Output	Oven Capacity	microsave	Programmable Control Panel	Number of Programs	Ceramic Base	Glass Turntable	Internal Construction	External Construction	Power Point Required	Weight	Current Drawn	Power Source	External Dimensions	Internal Dimensions
CM-1042T	1200 watts	22 litre	✗	✓	20	✓	✗	Stainless Steel	Stainless Steel	10 amp	19.5kg	8.5 amp	240V - 50Hz	500w x 325h x 464d	307w x 209h x 329d
CM-1051T	1000 watts	22 litre	✗	✓	20	✓	✗	Stainless Steel	Stainless Steel	10 amp	19.5kg	7.6 amp	240V - 50Hz	500w x 325h x 464d	307w x 209h x 329d



CM-1051T 1000 watts

Full stainless Steel internal & external construction, programmable touch pad, ceramic base, generous 22 litre oven capacity with 1000watt output.

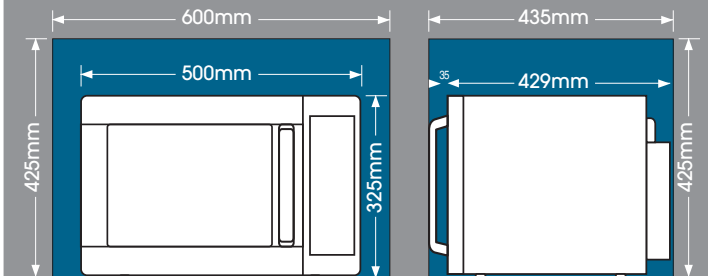
The CM-1051T includes design features such as Direct Ducted Magnetron Cooling, Motorised Stirrer Fan for even heating along with all safety features such as toughened inner door glass, heavy duty door safety latches and double strengthened door hinges.

Ideal for long lasting performance and reliability in school tuck shops, snack bars, fast food vans and front of house heating requirements.

Supplied with 2 Years Parts/1 Year Labour warranty*.

CM-1051T Dimensions and Installation Guide

All microwave ovens should be installed in a well ventilated area. Below are the minimum recommended built in installation dimensions.



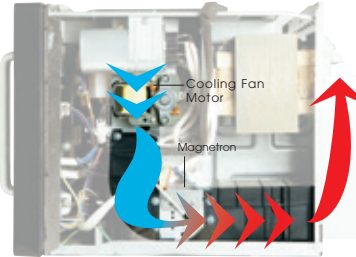
Grab'n'Go Door Handle

Heavy Duty triggerless metal door handle for years of reliable use.



Direct Ducted Magnetron Cooling Design

Industry leading magnetron lifespan. Unique ducted design by Bonn. Cold air is plumbed directly into the magnetron, with hot exhaust air plumbed to exit the oven achieving maximum cooling efficiency.



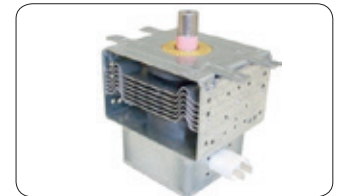
Programmable Touch Pad

20 custom programmable presets for easy, rapid heating of meals.



High Efficiency Magnetron

Latest generation magnetron design enabling power output up to 1200 watts.



Heavy Duty Door Safety Latch

Heavy Duty nylon door latches, guarantees maximum safety to user.



Safety

Toughened glass (not film) inner door screen protects door grill, preventing possible microwave leakage and maximum safety to user.



Motorised Stirrer Fan

Concealed Stirrer Fan for even heating of food.



Ceramic Base

Easy cleanup of spills and larger useable space when compared to rotating glass turntable.



Light Duty Range



CM-901T 900 watts

The CM-901T incorporates a fully programmable touch pad in an entry level compact light duty package. The CM-901T also features a ceramic base and motorised stirrer fan to ensure ease of cleaning and maximum usability from its 21 litre capacity.

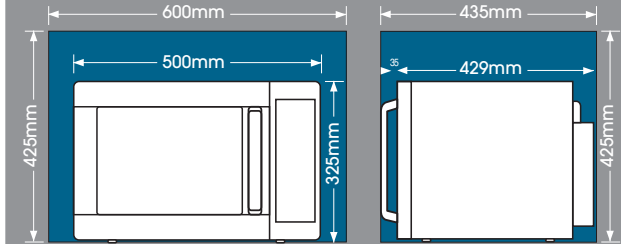


Supplied with 1 Year Parts and Labour warranty*.

MODEL	Power Output	Oven Capacity	Programmable Control Panel	Number of Programs	Ceramic Base	External Construction	Power Point Required	Weight	Current Drawn	Power Source	External Dimensions	Internal Dimensions
CM-901T	900 watts	21 litre	✓	20	✓	Stainless Steel	10 amp	15.5kg	7.0 amp	240V - 50Hz	480w x 295h x 365d	300w x 195h x 290d

CM-901T Dimensions and Installation Guide

All microwave ovens should be installed in a well ventilated area. Below are the minimum recommended built in installation dimensions.



	HIGH PERFORMANCE microSave RANGE		HIGH PERFORMANCE RANGE		LIGHT DUTY RANGE
	CM-1901T	CM-1300T	CM-1042T	CM-1051T	CM-901T
Cavity Protection:	microSave COMPATIBLE	microSave COMPATIBLE			
Power Output:	1900watts	1300watts	1200watts	1000watts	900watts
Power Input:	3200watts	2200watts	1650watts	1500watts	1350watts
Current Requirement:	14.6amp (15amp power supply) required	9.8amp (10amp power supply) required	8.5amp (10amp power supply) required	7.6amp (10amp power supply) required	7.0amp (10amp power supply) required
Voltage:	240/50Hz	240/50Hz	240/50Hz	240/50Hz	240/50Hz
Weight:	34kg	32kg	19.5kg	19.5kg	15.5kg
Oven Capacity:	27litre	26litre	22litre	22litre	21litre
Internal Dimension:	371W X 198H X 372D	370W x 190H x 370D	307W x 209H x 329D	307W x 209H x 329D	300W x 195H x 290D
External Dimension:	465W X 370H X 599D	464W x 368H x 620D	500W x 325H x 429D	500W x 325H x 429D	480W x 295H x 365D
Internal Construction:	Stainless Steel	Stainless Steel	Stainless Steel	Stainless Steel	Acrylic Resin
External Construction:	Stainless Steel	Stainless Steel	Stainless Steel	Stainless Steel	Stainless Steel Housing
Controls:	Touch Control 200 Preset Programs Manual & Program Control Variable Power Output Multiple Stage Cooking Auto Repeat Counter Check Functions Memory Lock Memory Check Self Diagnostics	Touch Control 30 Preset Programs Double Quantity Programming Manual & Program Control Variable Power Output (10-100%) Multiple Stage Cooking Auto Repeat Counter Check Functions Memory Lock Memory Check Self Diagnostics & Air Filter clean time reminder	Touch Control 20 Preset Programs Manual & Program Control Variable Power Output (10-100%) Multiple Stage Cooking Memory Lock	Touch Control 20 Preset Programs Manual & Program Control Variable Power Output (10-100%) Multiple Stage Cooking Memory Lock	Touch Control Variable Power Output (Defrost to High) 20 Preset Programs
Features:	Twin Magnetrons Twin Stirrer Fan	Twin Magnetrons Twin Stirrer Fan	Single Magnetron Single Stirrer Fan	Single Magnetron Single Stirrer Fan	Single Magnetron Single Stirrer Fan
Warranty:	*† First year parts and labour cover. Second year parts only. Third year transformers and electronic printed circuit boards (parts only).		* First year parts and labour cover. Second year parts only.		12 Months parts and labour*

* Subject to warranty conditions packaged with oven.

All specifications are subject to change without prior notice.



Bonn Appliances are specialists in Commercial Microwave Ovens and Combination Ovens. Whatever your needs or requirements Bonn Appliances can help you.

Bonn Appliances has experienced sales and service specialists in all major capital cities throughout Australia and New Zealand. Please contact us, your call is welcomed.

www.bonnappliances.com

Bonn Appliances
(ABN 89 633 577 921)
4/40 Rivergate Place, Murarrie
Qld 4172 Australia

Phone 07-3390 4185
Int. +61-7-3390 4185
Fax 07-3393 9508
info@bonnappliances.com